

1 2 3 4 5 6

A

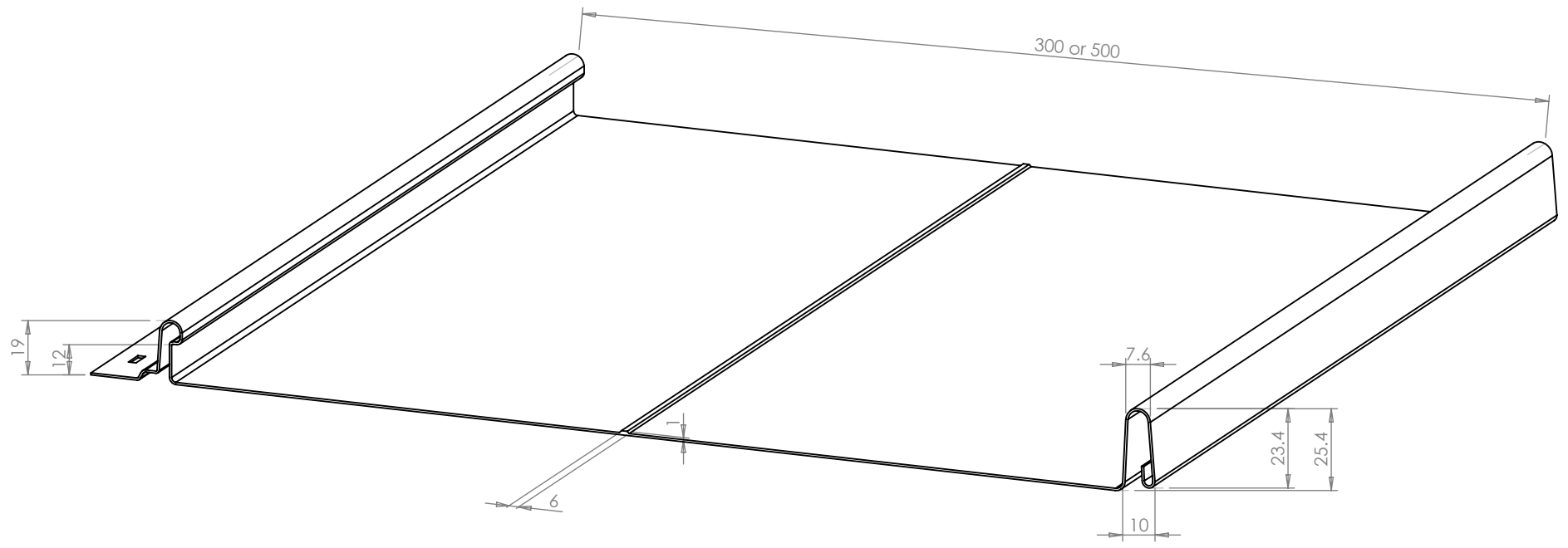
A

B

B

C

C



VERTIX SYSTEMS  
 UNIT 4 WYESIDE COMMERCIAL CENTRE  
 HADNOCK ROAD  
 MAYHILL  
 MONMOUTH  
 NP25 3QG

UNLESS OTHERWISE SPECIFIED:  
 DIMENSIONS ARE IN MILLIMETERS  
 TOLERANCE:  
 LINEAR ± 1  
 ANGULAR ±1°

THIS DRAWING IS THE PROPERTY OF VERTIX SYSTEMS  
 AND MUST NOT BE COPIED WITHOUT WRITTEN  
 PERMISSION. ITS CONTENTS ARE CONFIDENTIAL  
 THEREFORE MUST NOT BE DISCLOSED OUTSIDE THE BUSINESS  
 WITHOUT WRITTEN PERMISSION AND ARE  
 TO BE USED ONLY FOR THE PURPOSE  
 FOR WHICH THE DRAWING IS SUPPLIED

TITLE:  
**VERTIX EASYSEAM  
 SINGLE PENCIL PANEL**

	NAME	APPROVED	DATE	MATL:
DRAWN	G. HOLVEY	✓	01/11/23	INDEPENDANT
CHK'D	K. WILKINSON	✓	01/11/23	WEIGHT: APPROX 6Kg PER M2
				SCALE: NTS

DWG NO.  
**VRT-ES-DTL-00004**